

# SIMPO

— LIVING —

OUTDOOR  
COLLECTION  
2024-2025



**SIMPO**  
— LIVING —

## Brand Story

Welcome to SIMPO LIVING, an outdoor lifestyle brand close to minimalism but not limited to this definition of presentation.

If we respond attentively, life often gives us some guidance. When we want to enjoy relaxed and easygoing outdoor time with family, friends, and even ourselves, choosing outdoor furniture that is simpler, more convenient, more classic, and more elegant is clearly a valuable experience addition and lifestyle beyond complex daily life. Less is more, that's one of reasons the how the brand comes about.

Because of this, as the carrier of these lifestyles, as well as the commitment of nature and artworks, the high - quality outdoor product of SIMPO LIVING comes from our company which possessed considerable historical value.

Since 1999, our enterprise has accumulated more than 24 years of manufacturing experience and technology, covering wood manufacturing craftsmanship, metal frame technology, fabric sofa craftsmanship, rattan sofa workmanship and other exquisite processing technology.

After the precipitation of time, we are better at closely following the latest international trends and innovations to give their outdoor furniture products excellence quality and stylized looks, and adopting the latest sustainable high-performance materials. To provide customers with newly designed outdoor space decoration options, provide efficient and convenient shopping experience, and provide considerate services have become the pursuit of our brand philosophy.

We invite you to discover and embrace this simple fine life with us!



DESIGNED  
WITH NATURAL



BUILT  
WITH QUALITY



FINISHED  
WITH ROPE



## Contents

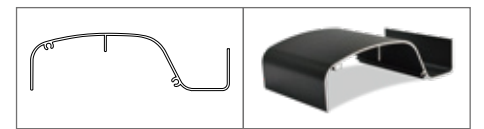
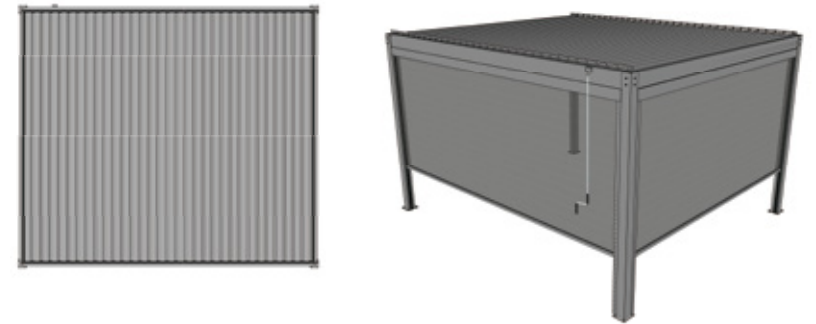
3	SKYPergs Lite
4	SKYPergs Plus
5	SKYPergs - Model Size
6	Astrol Pergola Lite
6	Astrol Pergola Plus
8	Astrol Pergola - EXT
11	Astrol Pergola - Model Size
13	Pergola - LED Light
14	Manual Blind
16	Astrol Pergola - Motorized
18	Sliding Glass Door
18	Louver Wall
19	Awning
20	Pergola Certificate
20	<b>MATERIALS COLORS</b>

# SKYPergs Lite

(100 series)



<b>Main beam</b>	150*62*1.5mm
<b>Poles</b>	100*100*1.5mm
<b>Gutter</b>	58*56*1.3mm
<b>Louver</b>	124*36*1.5mm (Single)
<b>Size</b>	3*3M 3*4M
<b>Operation</b>	Manual with 1.5m hand crank external or internal
<b>LED light</b>	7 colors
<b>Blind (select)</b>	Manual
<b>Motorization</b>	Customized
<b>Sliding glass door (select)</b>	3pcs or 4pcs system
<b>Louver wall (select)</b>	3pcs or 4pcs system



Louver for all sizes

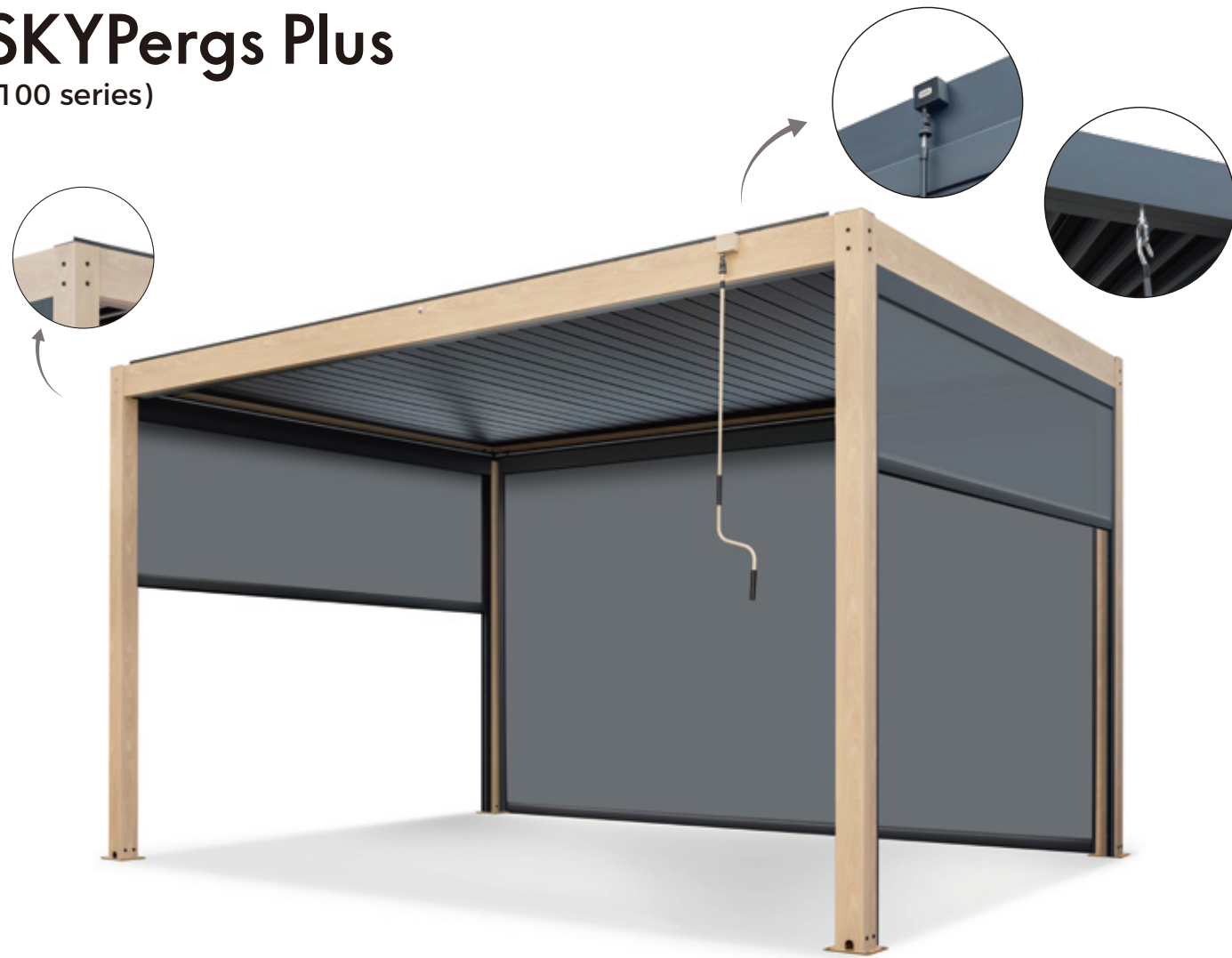


Display video

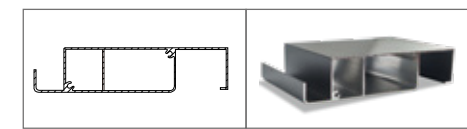
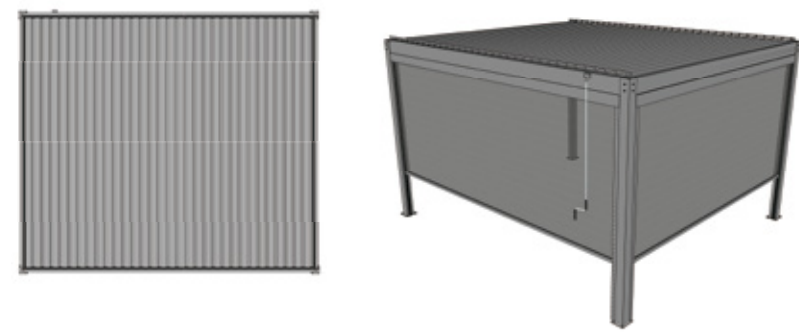


# SKYPergs Plus

(100 series)



<b>Main beam</b>	150*62*1.5mm
<b>Poles</b>	100*100*1.5mm
<b>Gutter</b>	58*56*1.3mm
<b>Louver</b>	130*30*1.3mm (Double)
<b>Size</b>	3*4M 3.6*4M 4*4M
<b>Operation</b>	Manual with 1.5m hand crank external or internal
<b>LED light</b>	7 colors
<b>Blind (select)</b>	Manual
<b>Motorization</b>	Customized
<b>Sliding glass door (select)</b>	3pcs or 4pcs system
<b>Louver wall (select)</b>	3pcs or 4pcs system



Louver for all sizes

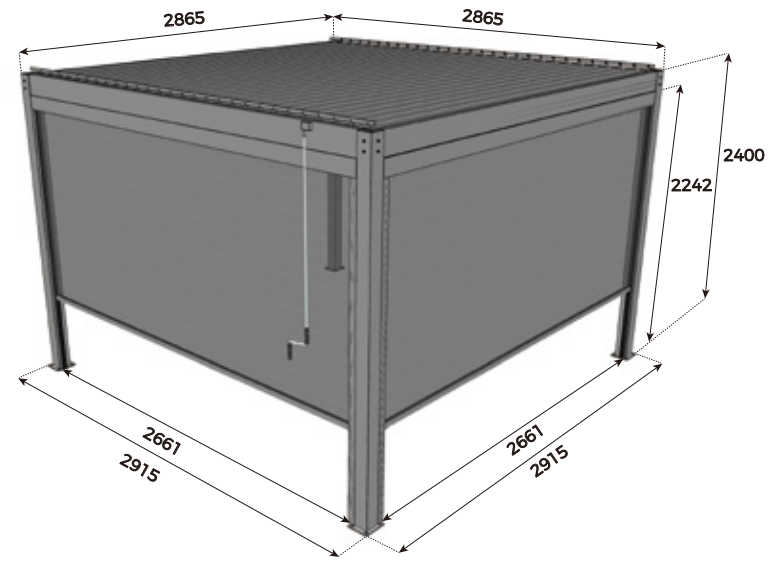
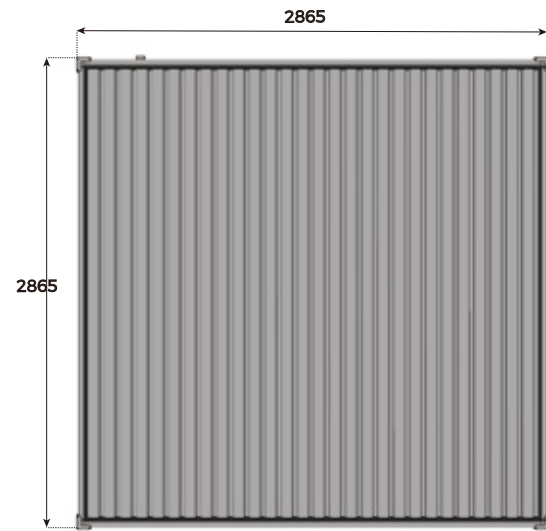


Display video

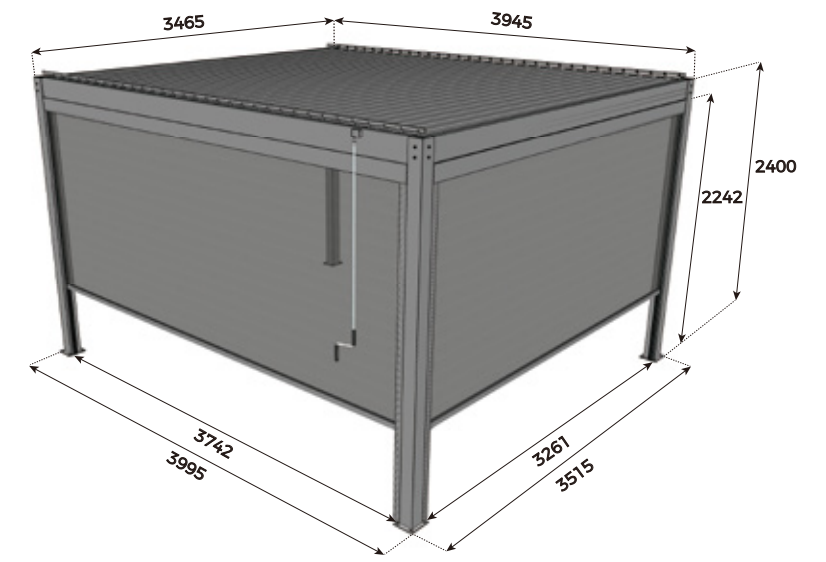
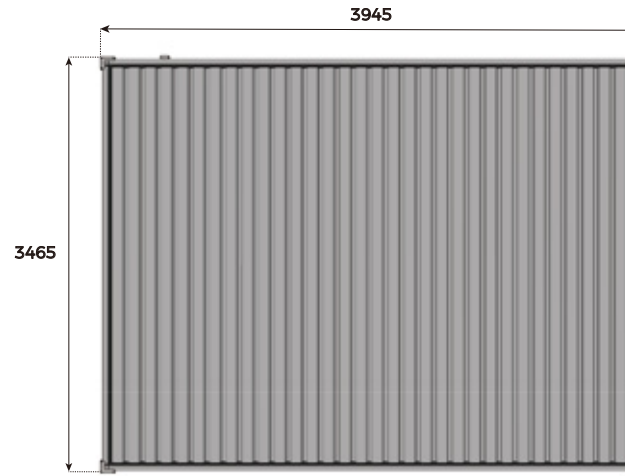


# SKYPergs Model Size (100 series)

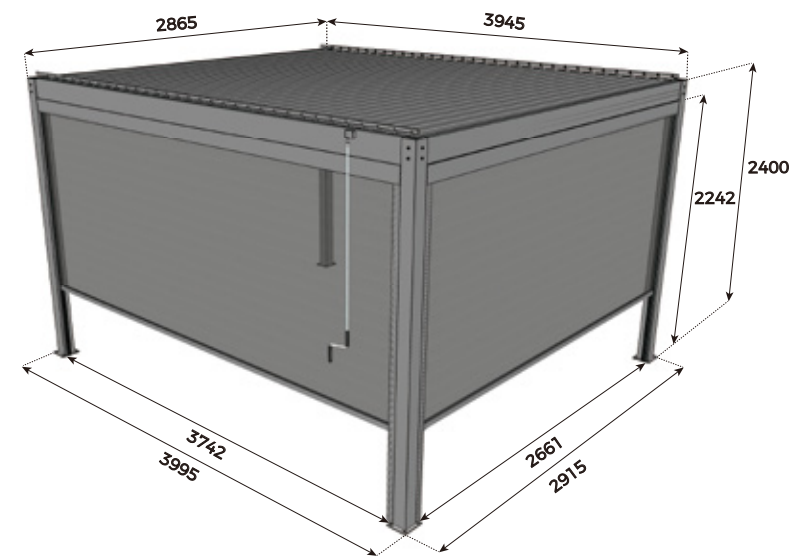
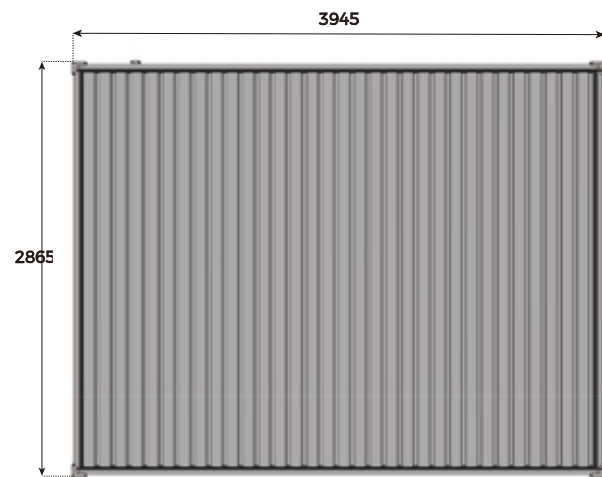
Suitable for:  
3x3M



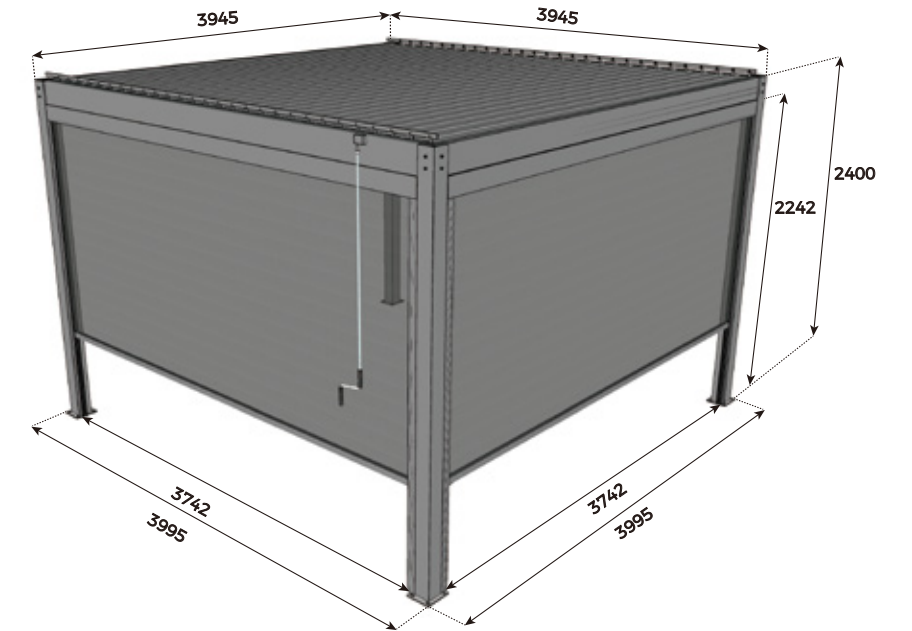
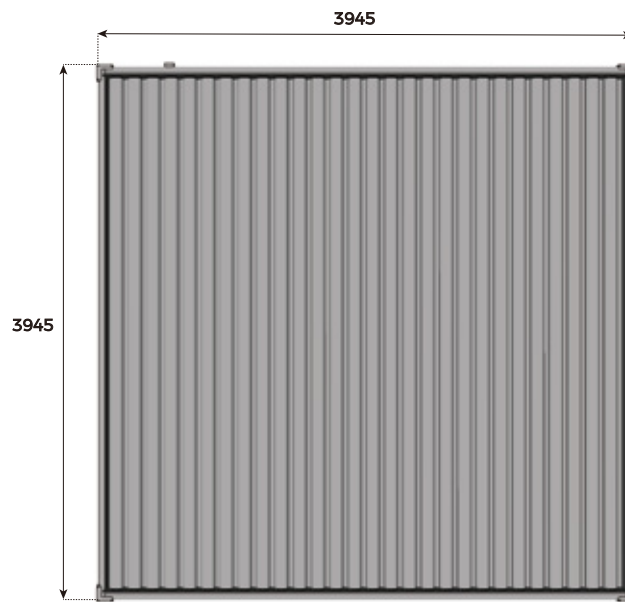
Suitable for:  
3.6x4M



Suitable for:  
3x4M



Suitable for:  
4x4M

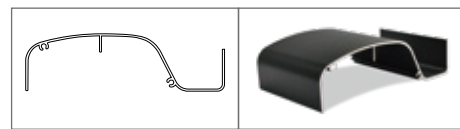
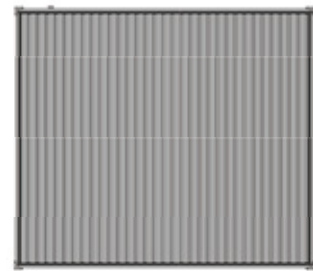


# Astrol Pergola Lite

(125 series)



<b>Main beam</b>	150*62*1.5mm
<b>Poles</b>	125*125*1.5mm
<b>Gutter</b>	58*56*1.3mm
<b>Louver</b>	130*30*1.3mm (Single)
<b>Size</b>	3*3M 3*4M
<b>Operation</b>	Manual with 1.5m hand crank external or internal
<b>LED light</b>	7 colors
<b>Blind (select)</b>	Manual
<b>Motorization</b>	Customized
<b>Sliding glass door (select)</b>	3pcs or 4pcs system
<b>Louver wall (select)</b>	3pcs or 4pcs system



Louver for all sizes



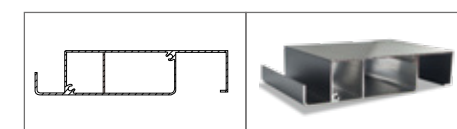
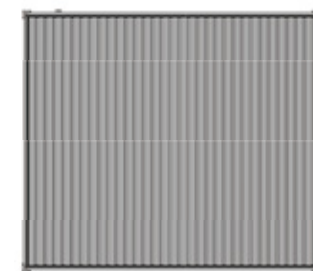
Display video

# Astrol Pergola Plus

(125 series)



<b>Main beam</b>	150*62*1.5mm
<b>Poles</b>	125*125*1.5mm
<b>Gutter</b>	58*56*1.3mm
<b>Louver</b>	130*30*1.3mm (Double)
<b>Size</b>	3*4M 3.6*4M 4*4M
<b>Operation</b>	Manual with 1.5m hand crank external or internal
<b>LED light</b>	7 colors
<b>Blind (select)</b>	Manual
<b>Motorization</b>	Customized
<b>Sliding glass door (select)</b>	3pcs or 4pcs system
<b>Louver wall (select)</b>	3pcs or 4pcs system



Louver for all sizes



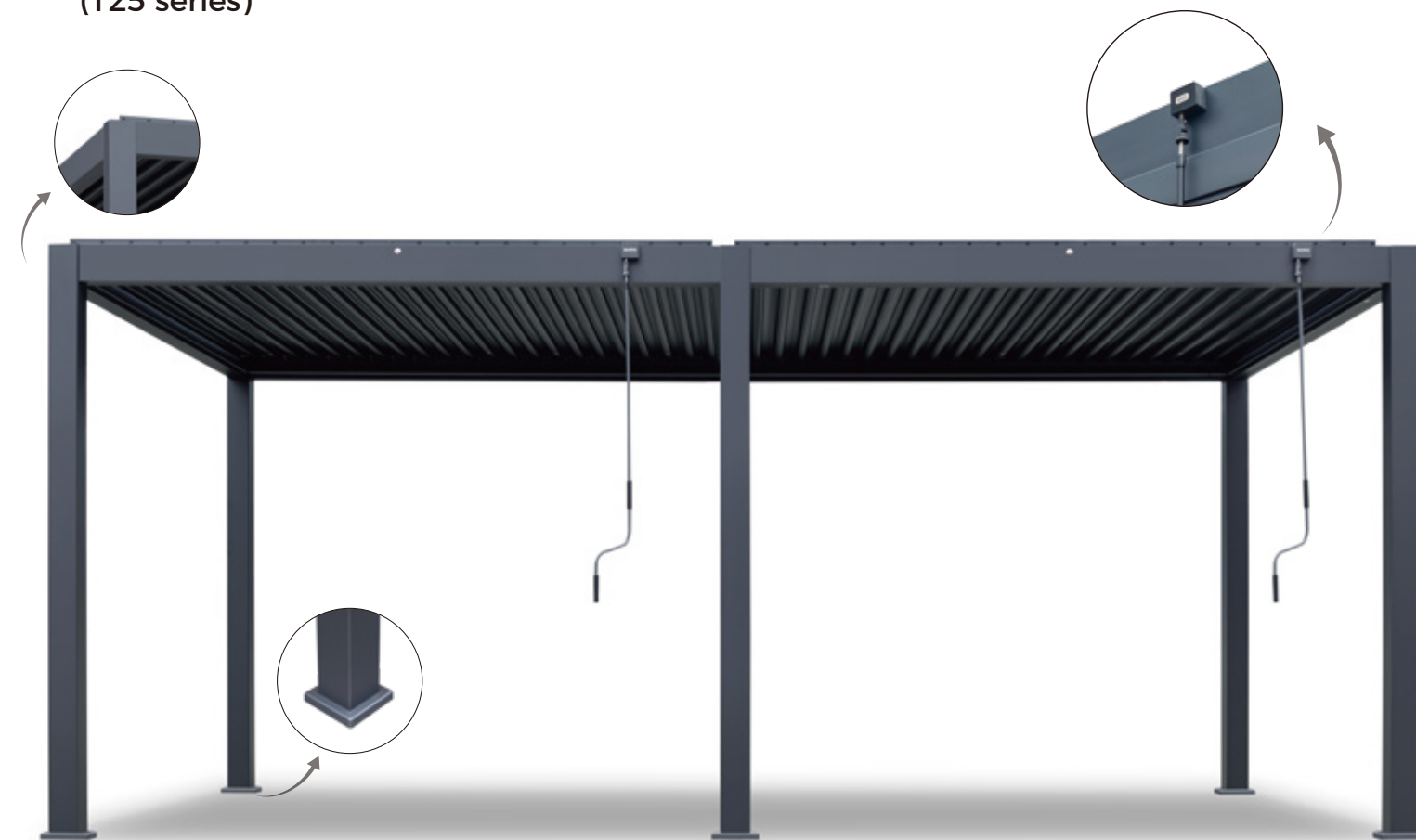
Display video



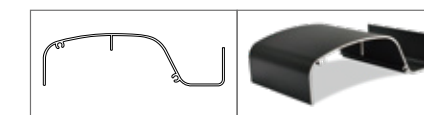
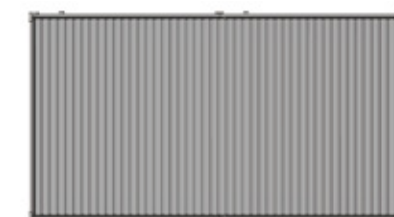


# Astrol Pergola-EXT

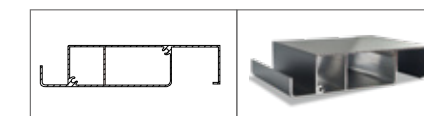
(125 series)



<b>Main beam</b>	150*62*1.5mm
<b>Poles</b>	125*125*1.5mm
<b>Gutter</b>	58*56*1.3mm
<b>Louver</b>	130*30*1.3mm (Single)
<b>Size</b>	3*6M 4*6M
<b>Operation</b>	Manual with 1.5m hand crank external
<b>LED light</b>	7 colors
<b>Blind (select)</b>	Manual
<b>Motorization</b>	Customized
<b>Sliding glass door (select)</b>	3pcs or 4pcs system
<b>Louver wall (select)</b>	3pcs or 4pcs system



Louver for all sizes (single)



Louver for all sizes (double)

**Standard colors**



RAL 7016  
Dark grey



RAL 9016  
White



Fresh Teak



Display video

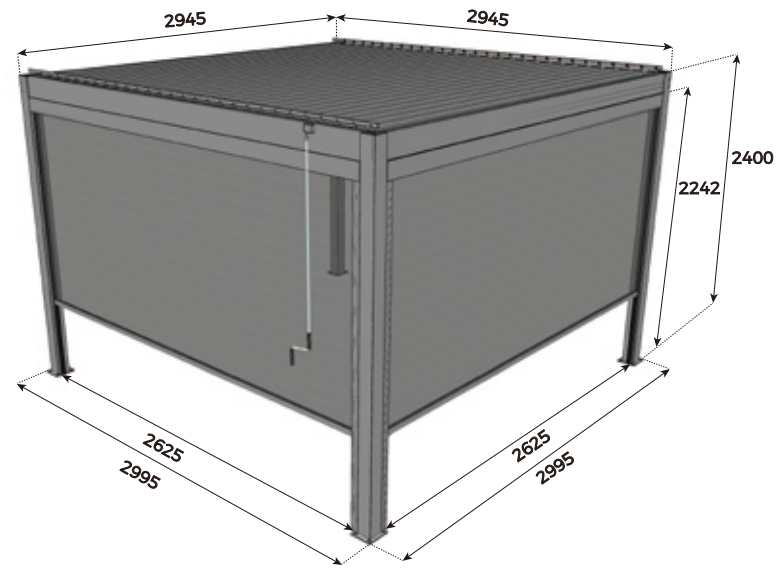
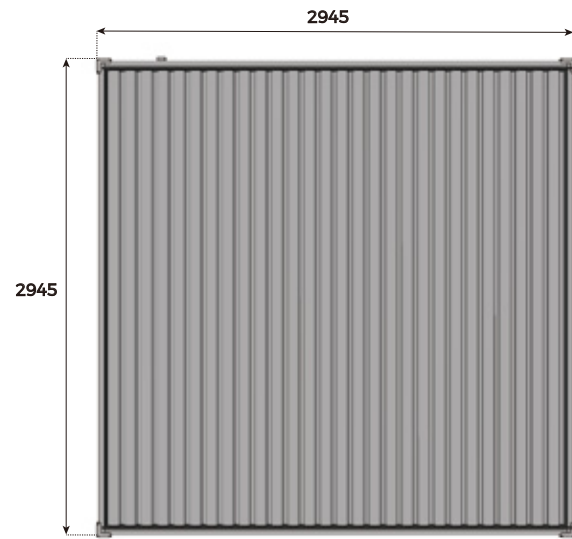




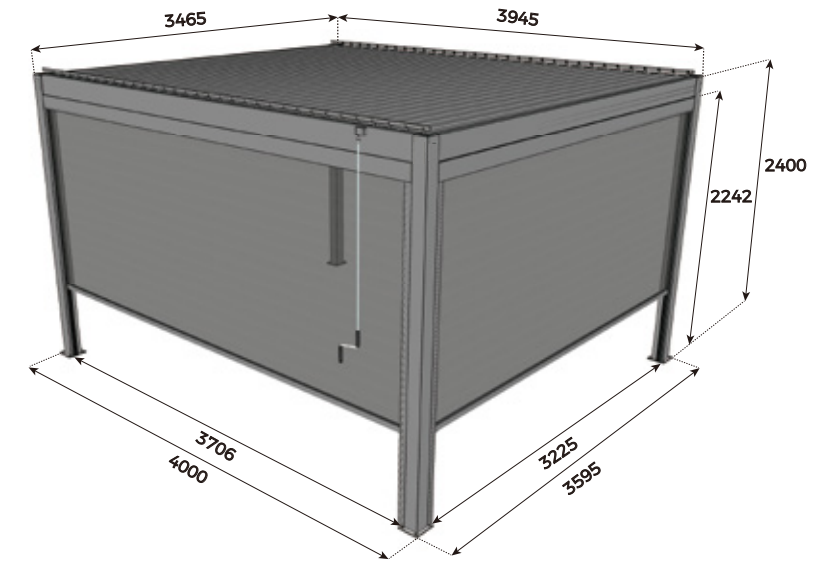
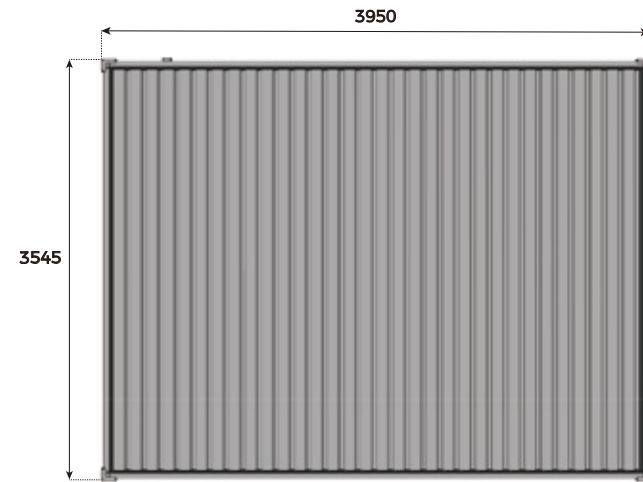


# Astrol Pergola Model Size (125 series)

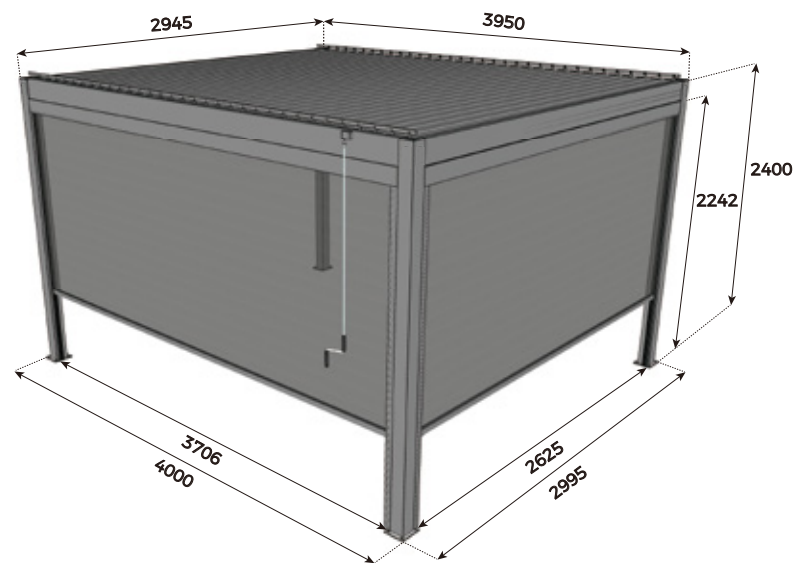
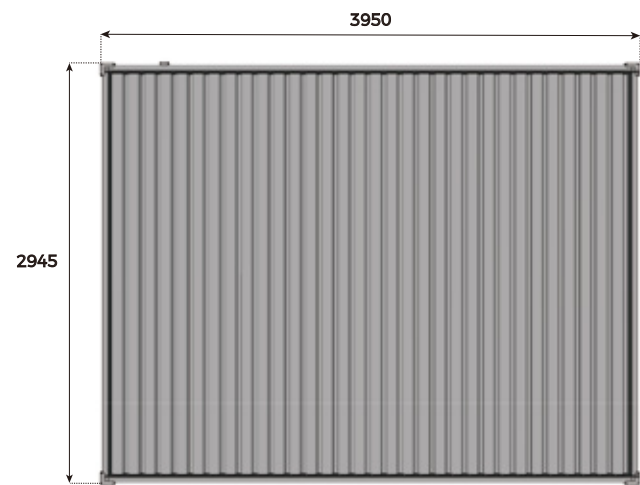
Suitable for:  
3x3M



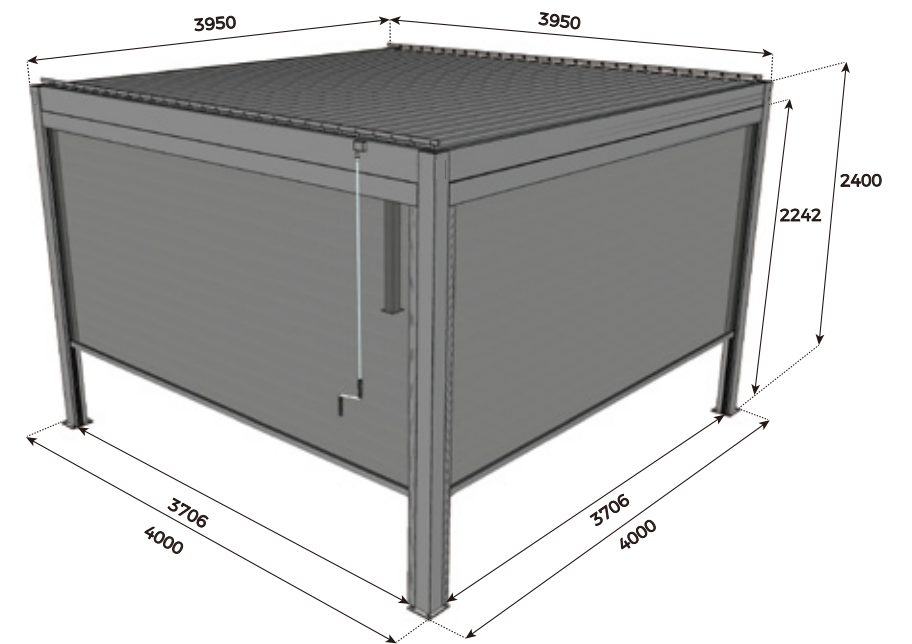
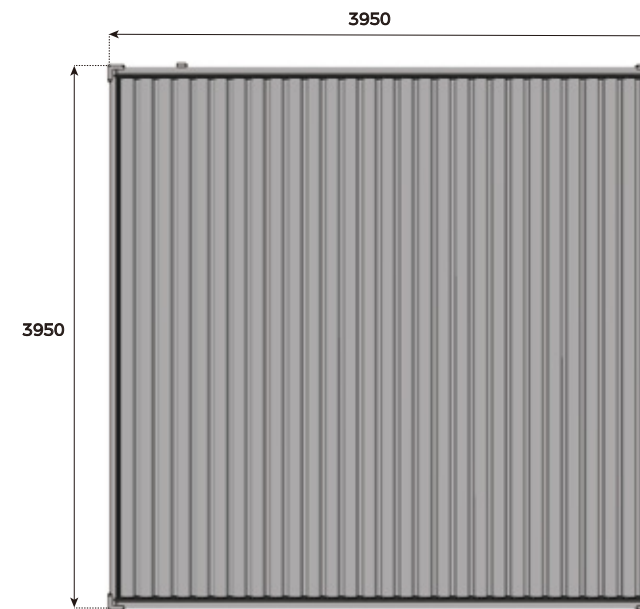
Suitable for:  
3.6x4M



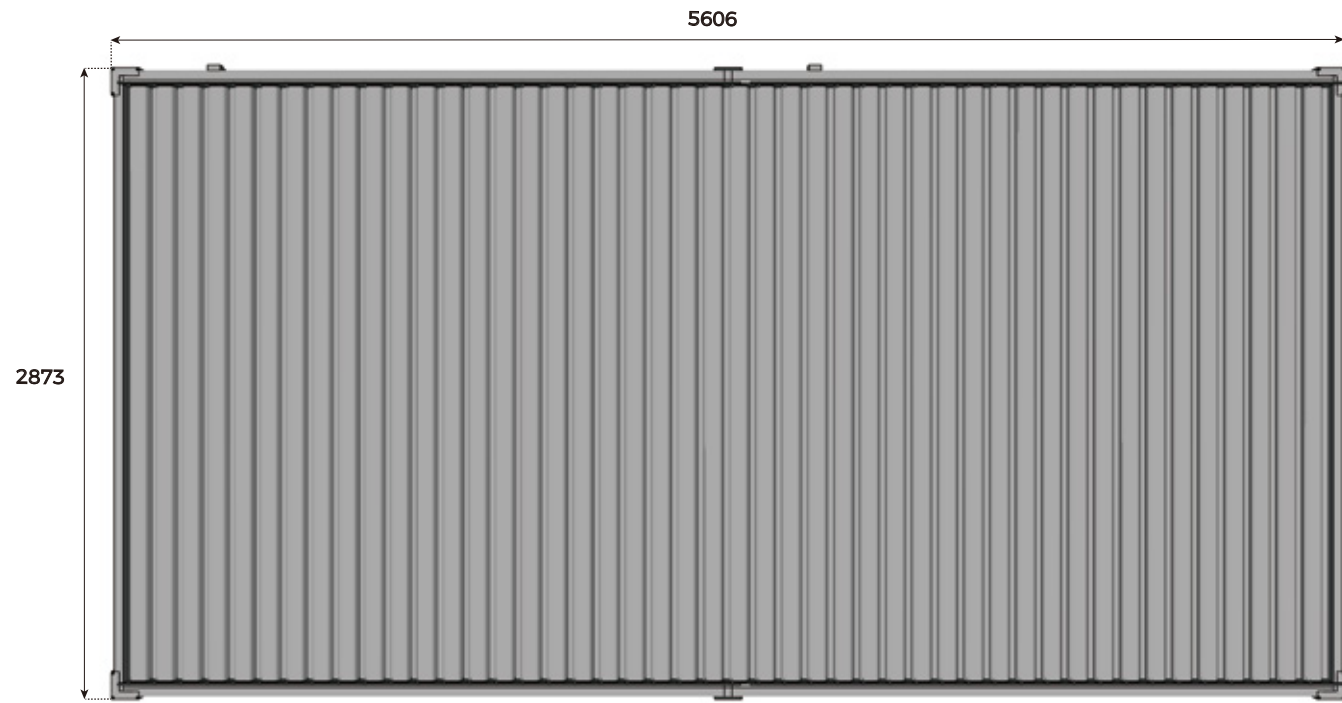
Suitable for:  
3x4M



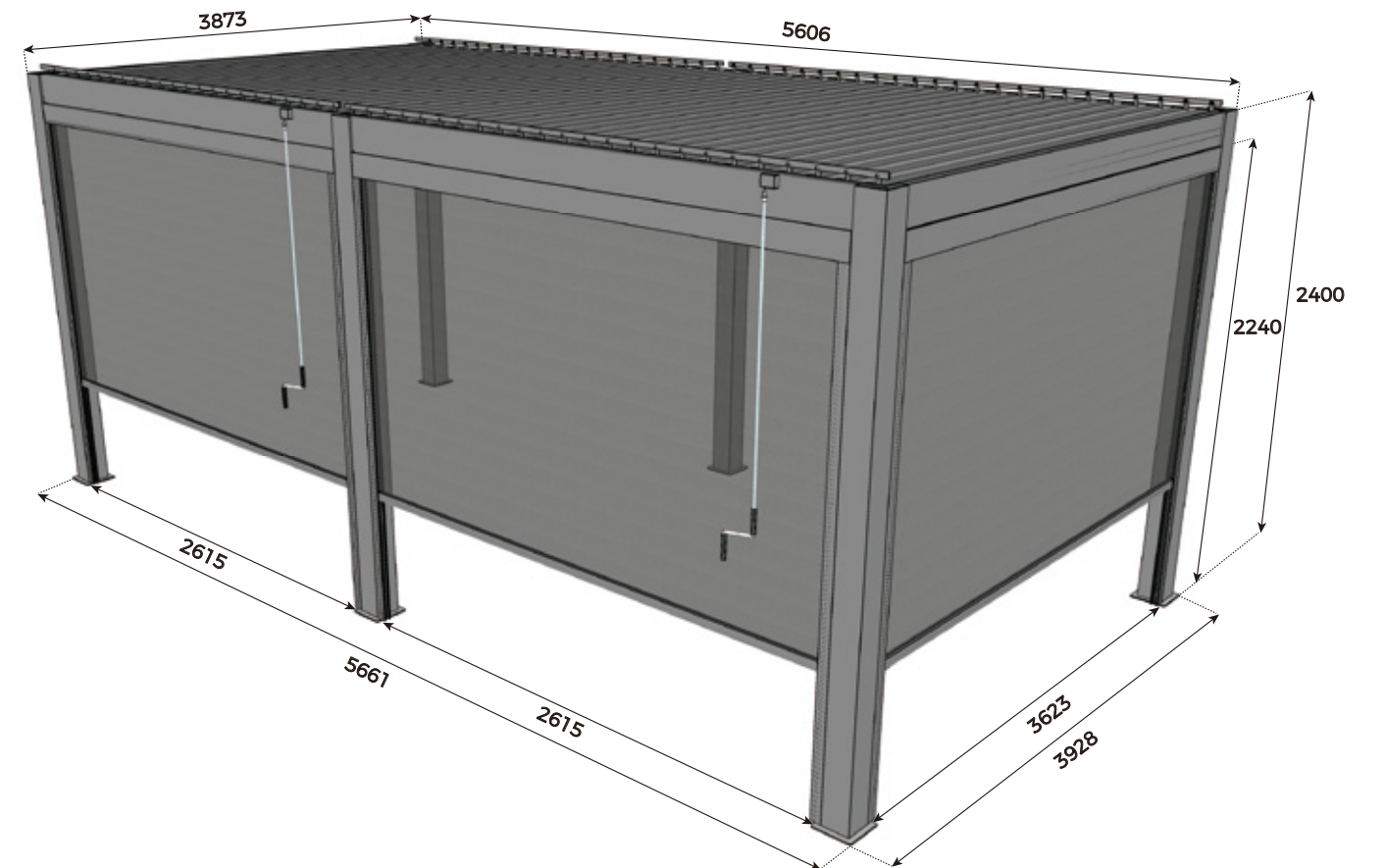
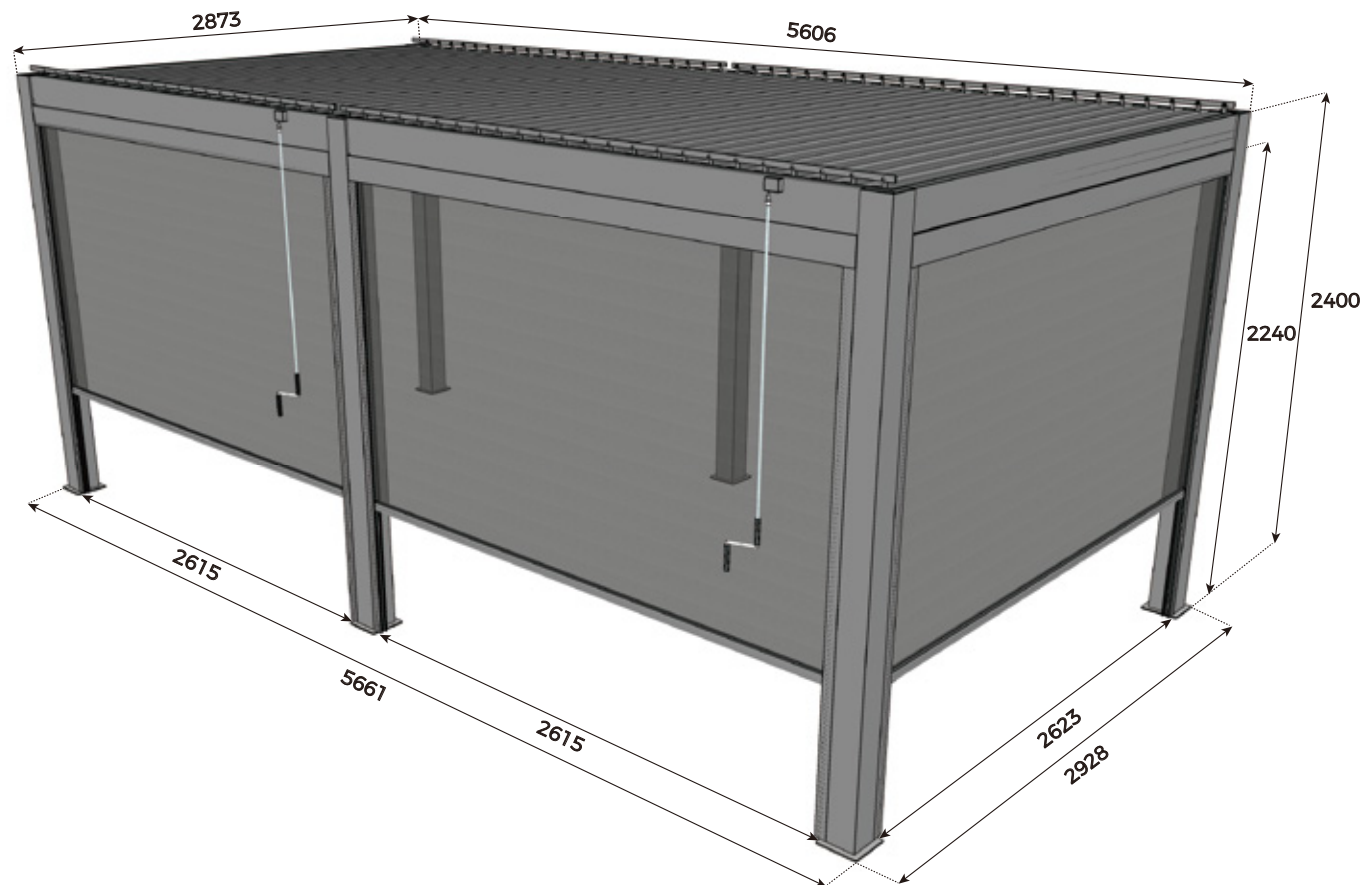
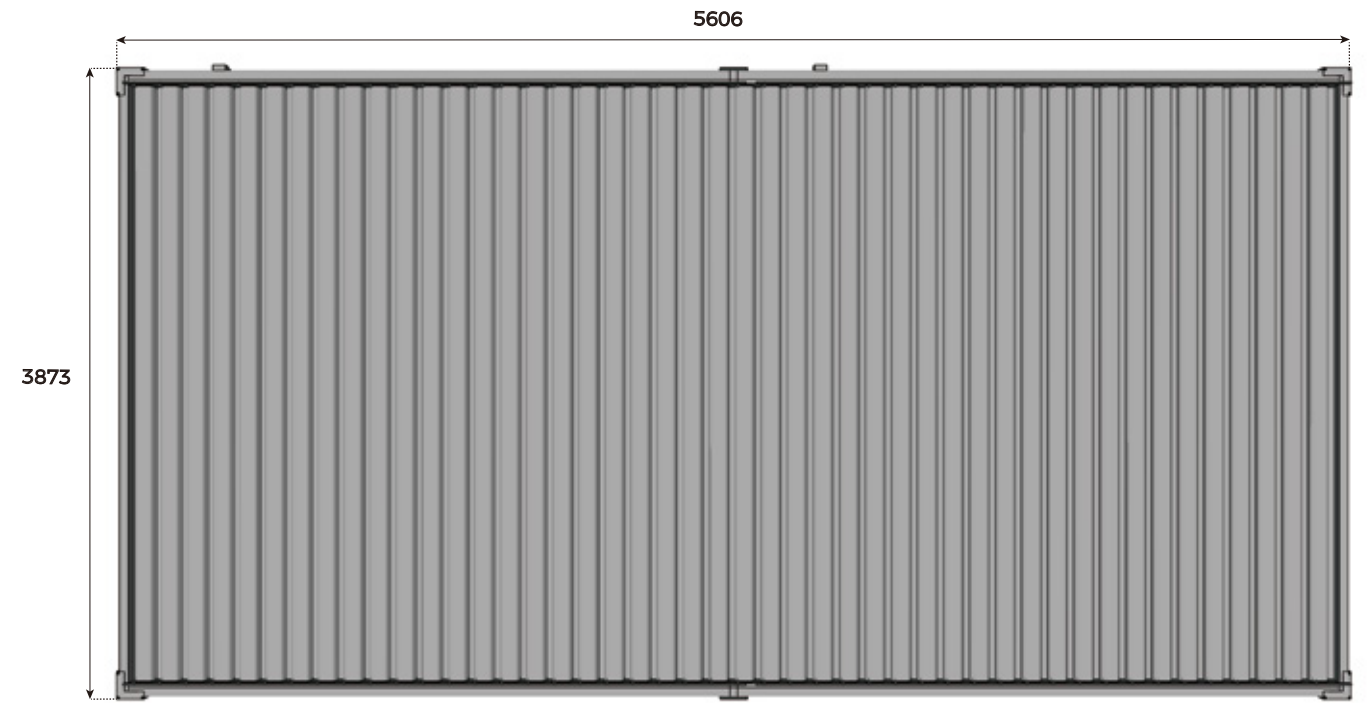
Suitable for:  
4x4M



Suitable for:  
3x6M



Suitable for:  
4x6M



# Pergola - LED Light

(7 colors)



No.1 Red



No.2 Yellow



No.5 Light Blue



No.6 Purple



No.3 Green



No.4 Blue



No.7 White



# Manual Blind



# Manual Blind



100 series

125 series

## Textilene

1. Ingredients: 78%PVC and 22%Polyster
2. Thickness: 0.6mm(+/-5%)
3. Weight: 455g/m<sup>2</sup>(+/-5%)
4. Opening ratio: 5%
5. Color fastness: ISO 105 B02 8 class

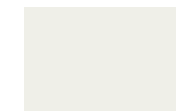


Display video

Profile colors



RAL 7016  
Dark grey

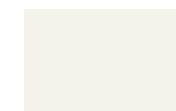


RAL 9016  
White

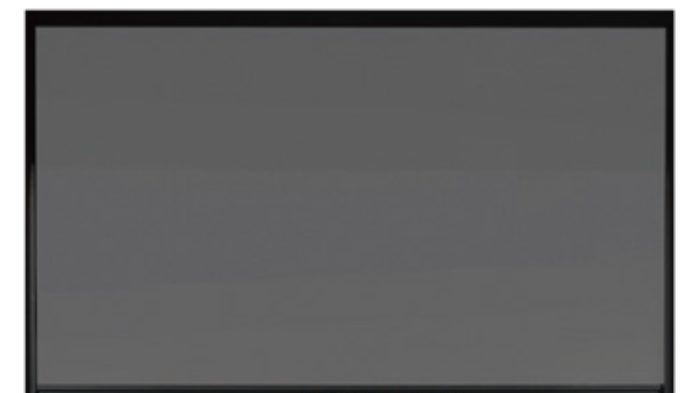
Textilene colors



Light grey



White



FIRE-PROOF LEVEL



ENVIRONMENTAL CERTIFICATION



NO FORMALDEHYDE

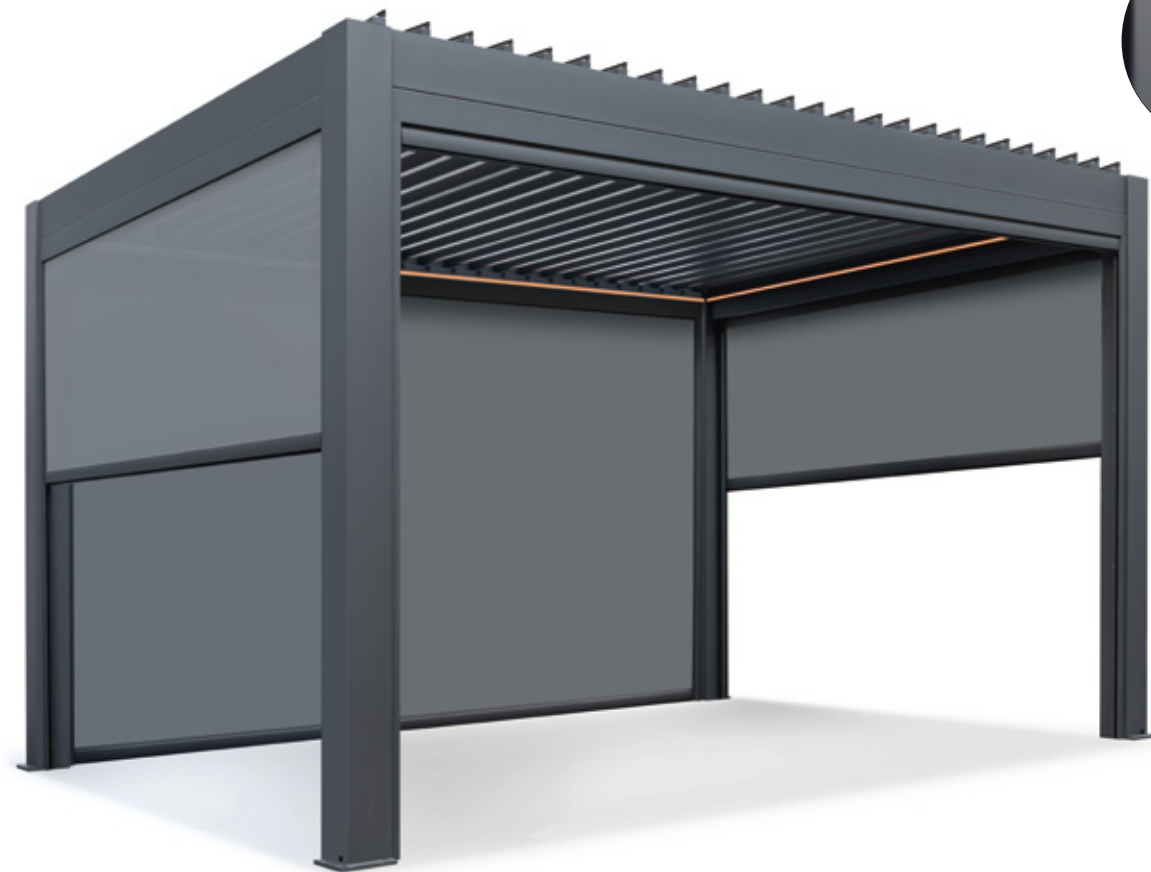




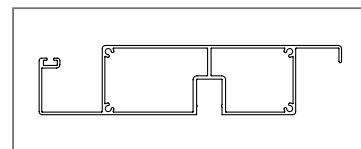
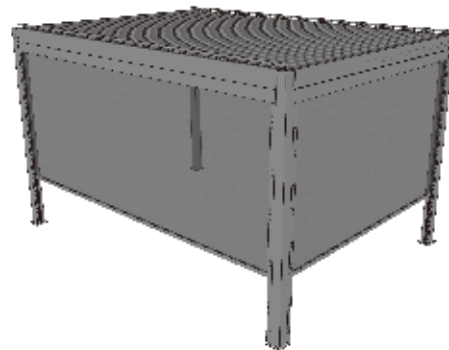
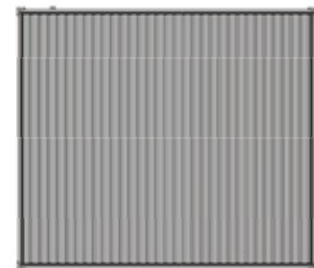
**SIMPO**  
LIFESTYLE

# Astrol Pergola-Motorized

(150 series)



<b>Main beam</b>	175*40*2.2mm
<b>Poles</b>	150*150*1.5mm
<b>Gutter</b>	90*55*1.4mm
<b>Louver</b>	175*40*1.5mm (Double)
<b>Size</b>	3*4M
<b>Operation</b>	Motorized
<b>LED light</b>	1 color
<b>Blind (select)</b>	Manual
<b>Motorization</b>	Motorized
<b>Sliding glass door (select)</b>	3pcs or 4pcs system
<b>Louver wall (select)</b>	3pcs or 4pcs system



Louver for all sizes

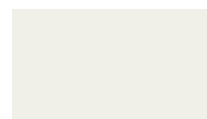


Display video

Standard colors



RAL 7016  
Dark grey



RAL 9016  
White



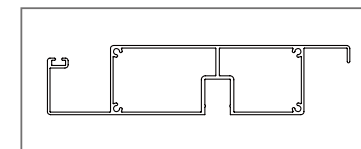
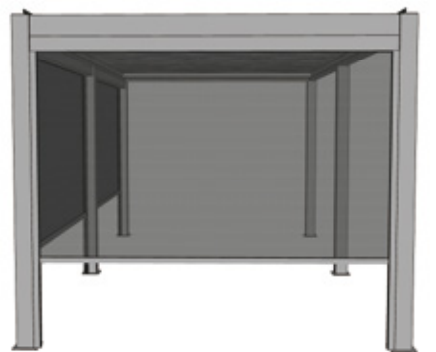
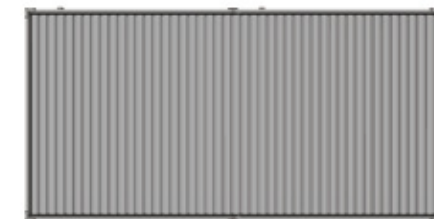
Fresh Teak

# Astrol Pergola-Motorized

(150 series)



<b>Main beam</b>	175*40*2.2mm
<b>Poles</b>	150*150*1.5mm
<b>Gutter</b>	90*55*1.4mm
<b>Louver</b>	175*40*1.5mm (Double)
<b>Size</b>	3*6M
<b>Operation</b>	Motorized
<b>LED light</b>	1 color
<b>Blind (select)</b>	Manual
<b>Motorization</b>	Motorized
<b>Sliding glass door (select)</b>	3pcs or 4pcs system
<b>Louver wall (select)</b>	3pcs or 4pcs system



Louver for all sizes

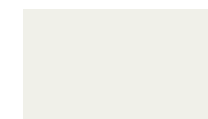


Display video

Standard colors



RAL 7016  
Dark grey



RAL 9016  
White



Fresh Teak





# Sliding Glass Door



3pcs glass panels



4pcs glass panels

# Louver Wall

3.0m Louvers Wall  
(3 panels)

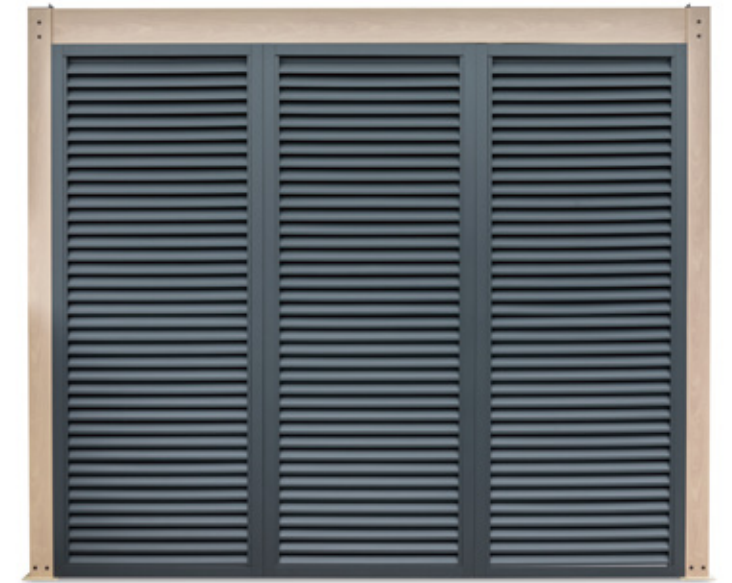
4.0m Louvers Wall  
(4 panels)

Alum Color:

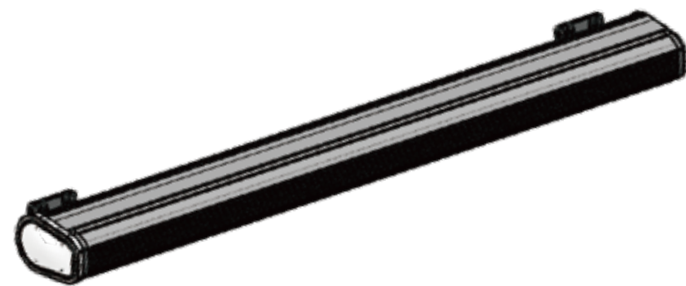
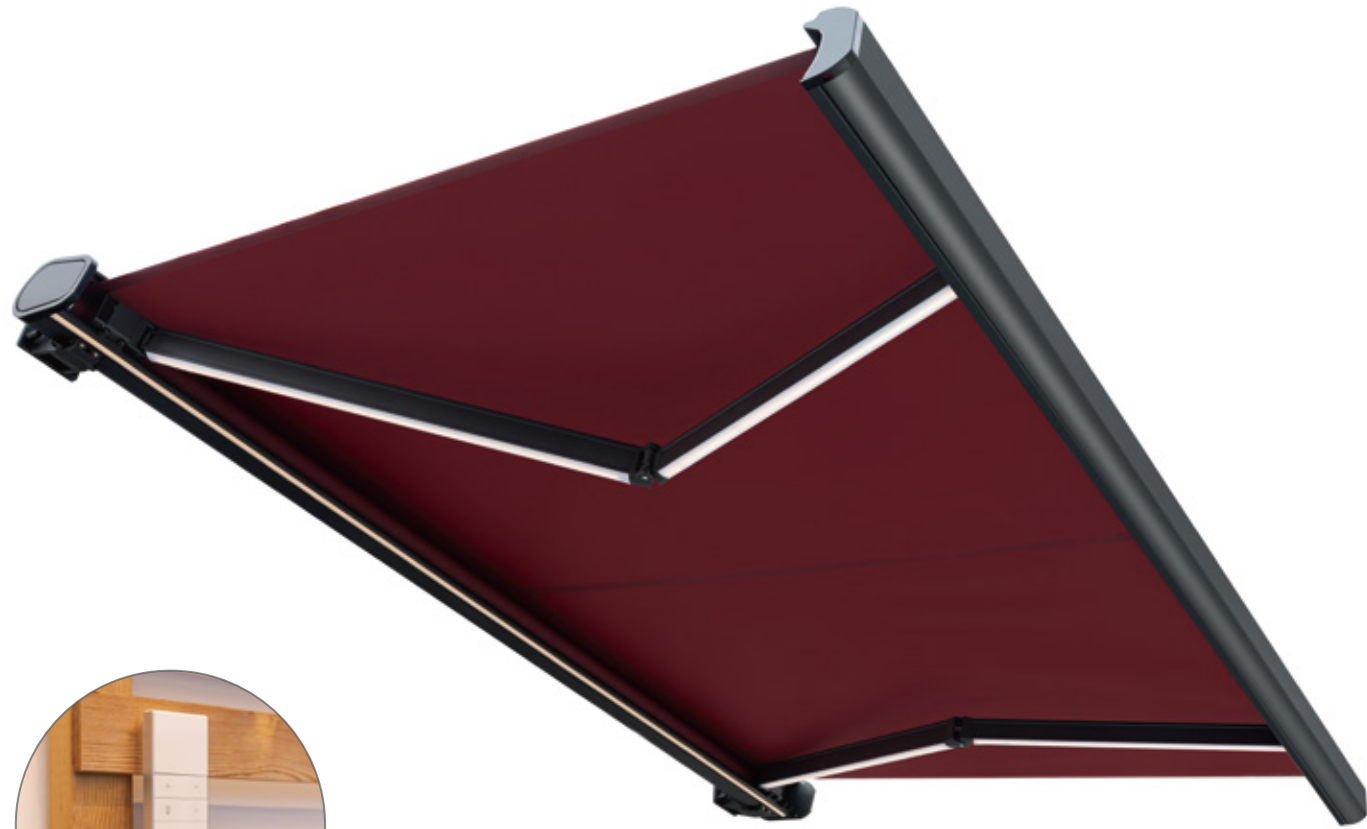


RAL 7016  
Dark grey

RAL 9016  
White



# Awning



Main beam	150*118*85mm
Size	2*3M 3*4M
Fabric material	Acrylic
LED light	1 color
Motorization	Motorized

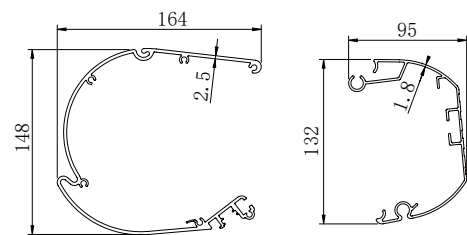
**Profile colors**

RAL 7016  
Dark grey

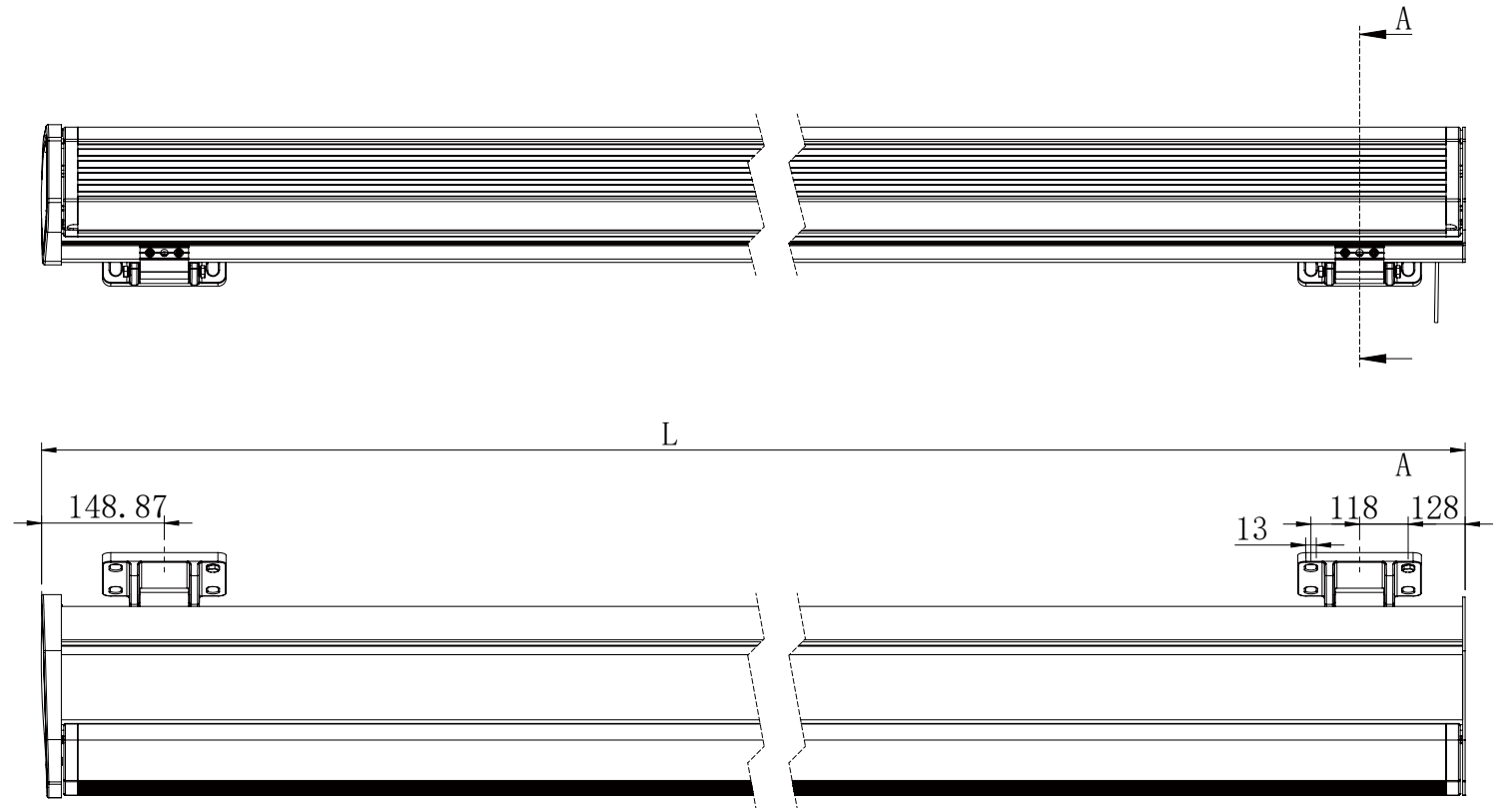
**Fabric colors**

A30

A13



Display video



# Pergola Certificate

**中天洋检测 AVICTESTING**  
Report No. ACT2023090404 Page 1 of 4

## Test Report

**Customer:** SINO LIVING CO., LIMITED

**Address:** Room 63, 7/F, Woon Lee Commercial Building, 7-9 Austin Ave, Tsun Shei Tsui, Kowloon, Hong Kong

**Manufacturer:** PLEASURE CASUAL ARTICLES CO., LTD.

**Address of manufacturer:** Liansun industrial zone, Xiqiao town, Nantao district, Foshan city, Guangdong, P.R. China

**Sample description:** plate para

**Receive sample date:** Aug 30, 2023

**Test date:** Aug 30, 2023 - Sep 03, 2023

**Reference documents:** ASTM D3045-18, ASTM D832-12

**Test result:** Pass

Prepared by: *Lina Huangjun* Reviewed by: *Huang Shun*

Approved by: *Zhong Weijun* Date: *2023-09-04*

Shenzhen Avictesting Technology Co., Ltd.

ASTM D3045-18, ASTM D832-12

**TÜV Rheinland**  
Precision Right.

**Report No.:** 168437990a 001 Page 1 of 4

**Client:** SINO LIVING CO., LIMITED

**Contact information:** Room 63, 7/F, Woon Lee Commercial Building, 7-9 Austin Ave, Tsun Shei Tsui, Kowloon, Hong Kong

**Manufacturer's name:** PLEASURE CASUAL ARTICLES CO., LTD.

**Address of manufacturer:** Liansun industrial zone, Xiqiao town, Nantao district, Foshan city, Guangdong, P.R. China

**Identification/Marking:** Outdoor Sunshade 3'37"X4'43.8"

**Sample obtaining method:** Sending by customer

**Condition of delivery:** Test item complete and undamaged

**Sample receiving date:** 2023-09-07

**Testing Period:** 2023-09-07 to 2023-09-10

**Place of testing:** Chemical laboratory Shanghai

**Test specification:** EN 71-2:2020 Flammability

**Customer's requirement:** PASS

**Test result:** PASS

For and on behalf of TÜV Rheinland (Shanghai) Co., Ltd.

2023-09-13  
Date  
*Candy He*  
Name/Position  
Certified Lab. Supervisor

EN 71-2:2020 Flammability

**General Agreement**

**Company:** PLEASURE CASUAL ARTICLES CO., LTD.

**Street:** Liansun industrial zone, Xiqiao town, Nantao district

**City:** Foshan city, Guangdong

**Country:** P.R. China

**Manufacturer referred to as "Client's" and**

**TÜV Rheinland LGA Products GmbH**

**Manufacturer referred to as "TRLP's"**

have concluded the following Agreement:

- The Client agrees for the right to participate in the TRLP certification system.
- TRLP and the client recognize the Testing and Certification Regulations of TRLP.
- As binding for both parties in all mutual business transactions, this recognition also applies to any future amendments to the above-mentioned document in particular due to new technical developments, changes in regulatory legal provisions, court rulings, decisions by competent authorities, accreditation bodies and/or administrative requirements as well as market conditions unless the Client terminates this Agreement with one month of advance notice of a modification of amendment. The Client confirms with his signature that he has received the above-mentioned document.
- If the Client concludes a contract with another TÜV Rheinland entity, within the scope of which testing and/or certification activities are to be provided by TRLP, the following order of priority shall apply in the event of conflicting regulations in terms of content:
  - Testing and Certification Regulations of TRLP
  - General Terms and Conditions of the respective TÜV Rheinland entity
- This Agreement shall be in effect for an initial term ending on December 31st of the current calendar year. It shall be automatically extended by another year unless terminated in writing by one of the parties before or on the last business day of the respective calendar year.
- Should the parties provide the Agreement with an electronic signature, the parties agree that the Agreement shall be equally electronically signed on the form of the amendment or modified agreement in accordance with the requirements of the eIDAS Regulation (Regulation (EU) No. 910/2014) of the European Parliament and of the Council of 23 July 2014 on electronic identification and the trust services in the field of electronic identification and the trust services in the field of electronic identification and the trust services in the field of electronic identification.
- This Agreement shall be governed exclusively by German substantive law to the exclusion of private international law and the United Nations Convention on Contracts for the International Sale of Goods of 11 April 1980 (CISG) shall not apply. The place of jurisdiction for all disputes arising out of or in connection with this Agreement shall be Cologne, Germany.

Page: \_\_\_\_\_ Date: \_\_\_\_\_ Page: \_\_\_\_\_ Date: \_\_\_\_\_

**TÜV Rheinland**  
Precision Right.  
Products Dept.  
TÜV Rheinland LGA Products GmbH  
Theodor-Heuss-Str. 2  
50669 Köln, Germany

Legally binding signature: \_\_\_\_\_ Legally binding signature: \_\_\_\_\_

Approver: Testing and Certification Regulations of TRLP

Shenzhen Avictesting Technology Co., Ltd.

TRLP



**中天洋检测 AVICTESTING**  
Report No. ACT2023090404 Page 1 of 4

**Test Report**

**Customer:** SINO LIVING CO., LIMITED

**Address:** Room 63, 7/F, Woon Lee Commercial Building, 7-9 Austin Ave, Tsun Shei Tsui, Kowloon, Hong Kong

**Manufacturer:** PLEASURE CASUAL ARTICLES CO., LTD.

**Address of manufacturer:** Liansun industrial zone, Xiqiao town, Nantao district, Foshan city, Guangdong, P.R. China

**Sample description:** plate para

**Receive sample date:** Aug 30, 2023

**Test date:** Aug 30, 2023 - Sep 03, 2023

**Reference documents:** IEC 60068-2-2: 2007, IEC 60068-2-1: 2007

**Test result:** Pass

Prepared by: *Lina Huangjun* Reviewed by: *Huang Shun*

Approved by: *Zhong Weijun* Date: *2023-09-04*

Shenzhen Avictesting Technology Co., Ltd.

GS 2019:01 PAK

**CERTIFICATE of Conformity**

**Registration No.:** AK 50021857 0001

**Report No.:** CNZ3W14 081

**Holder:** SINO LIVING CO., LIMITED

**Address of manufacturer:** Liansun industrial zone, Xiqiao town, Nantao district, Foshan city, Guangdong, P.R. China

**Product:** Sun Shade (Outdoor Sunshade)

**Type designation listed on the next page:**

The certificate of conformity refers to the above-mentioned product. This is to certify that the specimen is in conformity with the assessment requirement mentioned on the next page. This certificate does not imply assessment of the production of the product and does not permit the use of a TÜV Rheinland mark of conformity.

**Certification body:** TÜV Rheinland LGA Products GmbH - Tillystraße 2 - 90431 Nürnberg

Date: 2023-09-08  
*Charles Aue*  
Name/Position

**TÜV Rheinland**  
Precision Right.

www.tuv.com Page 1 of 2

EK5/AK8 14-08.01:2014

**中天洋检测 AVICTESTING**  
Report No. ACT2023090404 Page 1 of 4

**Test Report**

**Customer:** SINO LIVING CO., LIMITED

**Address:** Room 63, 7/F, Woon Lee Commercial Building, 7-9 Austin Ave, Tsun Shei Tsui, Kowloon, Hong Kong

**Manufacturer:** PLEASURE CASUAL ARTICLES CO., LTD.

**Address of manufacturer:** Liansun industrial zone, Xiqiao town, Nantao district, Foshan city, Guangdong, P.R. China

**Sample description:** plate para

**Receive sample date:** Aug 30, 2023

**Test date:** Aug 30, 2023 - Aug 07, 2023

**Reference documents:** IEC 60068-2-2: 2007, IEC 60068-2-1: 2007

**Test result:** Pass

Prepared by: *Lina Huangjun* Reviewed by: *Huang Shun*

Approved by: *Zhong Weijun* Date: *2023-09-04*

Shenzhen Avictesting Technology Co., Ltd.

IEC 60068-2-2: 2007, IEC 60068-2-1: 2007

## MATERIALS COLORS

### TEXTILENE COLOR



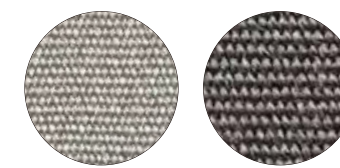
White Dark Grey

### ALUMINIUM COLOR



White Dark Grey Fresh Teak

### FABRIC COLOR



A13 A30



**SIMPO**  
— LIVING —

[www.simpoliving.com](http://www.simpoliving.com)  
[info@simpoliving.com](mailto:info@simpoliving.com)

